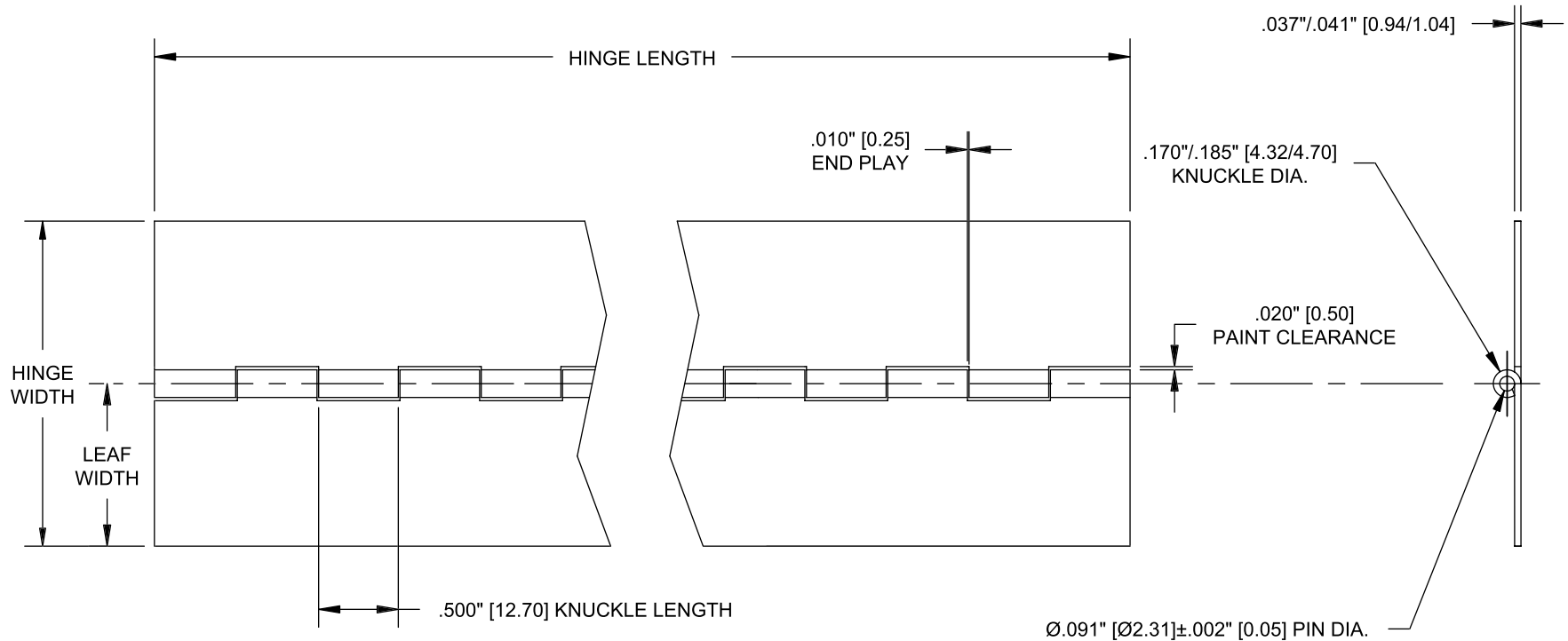


HINGE DRAWN BARREL UP



NOTES:

- 1] S&S Hinge series # 1000
- 2] Gauge/thickness - .037"/.041" [0.94 mm/1.04 mm].
- 3] Knuckle length - 1/2"/.500"/12.7 mm.
- 4] Pin diameter - .090"/2.31 mm.
- 5] Hinge rotates 270°.
- 6] See chart to the right for standard open widths.
- 7] Standard metals: steel, stainless, aluminum, preplated brass - & nickel, and brite annealed stainless.

SERIES #:	HINGE WIDTH
1001	1.06" [26.99]
1002	1.25" [31.75]
1003	1.50" [38.10]
1004	2.00" [50.80]



210 COVINGTON DRIVE
 BLOOMINGDALE, IL. 60108
 TEL: (630) 582-9500 * 1-800-332-1227
 FAX: (630) 582-8844

DRAWN BY: JOHNNY NGUYEN

DATE: SCALE: N-T-S

PART No: 1000 series

DIMENSIONS IN: INCHES <input checked="" type="checkbox"/> MILLIMETERS <input checked="" type="checkbox"/>			
S&S HINGE CO. STANDARD TOLERANCES			
DEC	INCH	MM	THIRD ANGLE
.XX	± .030	± 0.750	
.XXX	± .015	± 0.380	
HOLE DIA	± .005	± 0.127	
ANGLE	± 3°		

REV	DATE:	DESCRIPTION

CUSTOMER:

THIS PRINT AND/OR SPECIFICATION ARE EXCLUSIVE PROPERTY OF S&S HINGE CO. AND ARE NOT TO BE REPRODUCED, COPIED, USED OR DISCLOSED TO ANYONE WITHOUT PERMISSION.

