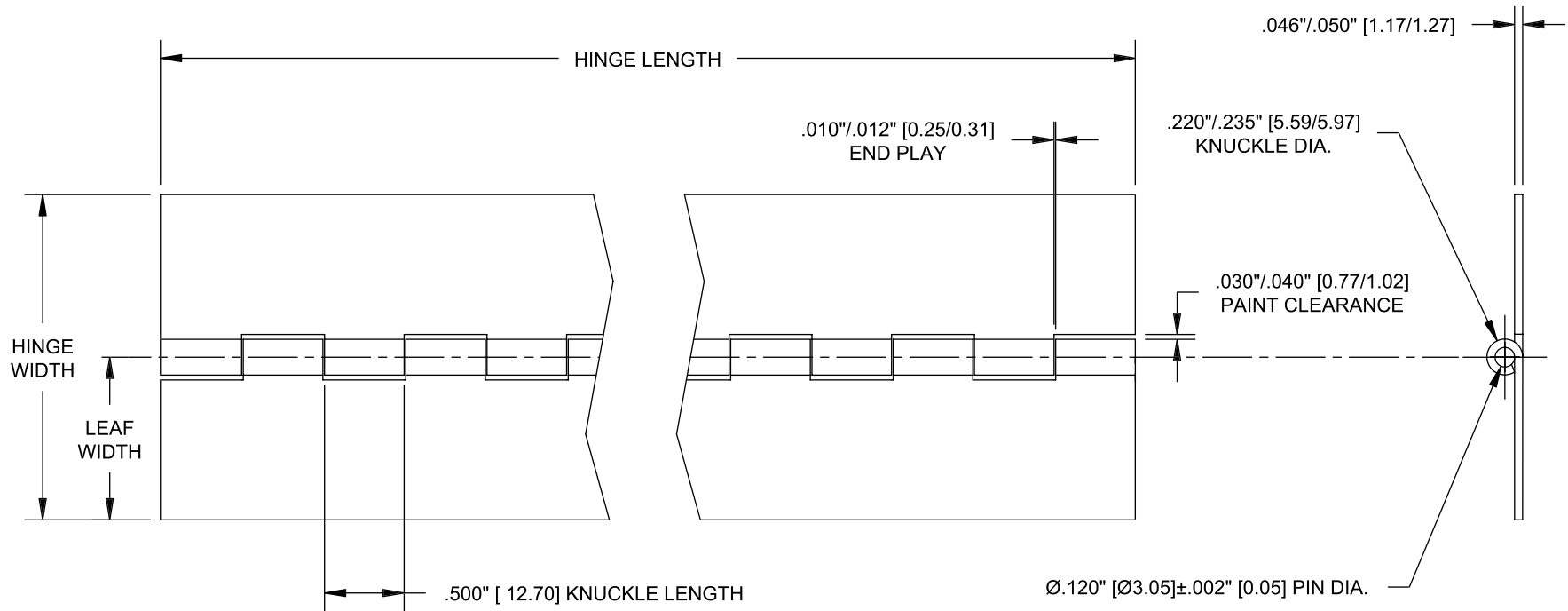


HINGE DRAWN BARREL UP



NOTES:

- 1] S&S Hinge series # 1100
- 2] Gauge/thickness - .046"/.050" [1.17 mm/1.27 mm].
- 3] Knuckle length - 1/2"/.500"/12.7 mm.
- 4] Pin diameter - .120"/3.05 mm.
- 5] Hinge rotates 270°.
- 6] See chart to the right for standard open widths.
- 7] Standard metals: steel, stainless and aluminum.

SERIES #:	HINGE WIDTH
1101	1.06" [26.99]
1102	1.25" [31.75]
1103	1.50" [38.10]
1104	1.75" [44.45]
1105	2.00" [50.80]
1107	2.50" [63.50]
1109	3.00" [76.20]
1113	4.00" [101.60]

DIMENSIONS IN: INCHES <input checked="" type="checkbox"/> MILLIMETERS <input checked="" type="checkbox"/>			
S&S HINGE CO. STANDARD TOLERANCES			
DEC	INCH	MM	THIRD ANGLE
XX	± .030 ± 0.750		
XXX	± .015 ± 0.380		
HOLE DIA	± .005 ± 0.127		
ANGLE	± 3°		

CUSTOMER:

REV	DATE:	DESCRIPTION

S&S HINGE
C O M P A N Y
Continuous Hinge, Quality and Service Worldwide | Est. 1932

210 COVINGTON DRIVE
BLOOMINGDALE, IL. 60108
TEL: (630) 582-9500 * 1-800-332-1227
FAX: (630) 582-8844

DRAWN BY: JOHNNY NGUYEN

DATE:	SCALE: N-T-S
-------	--------------

PART No: 1100 series

THIS PRINT AND/OR SPECIFICATION ARE EXCLUSIVE PROPERTY OF S&S HINGE CO. AND ARE NOT TO BE REPRODUCED, COPIED, USED OR DISCLOSED TO ANYONE WITHOUT PERMISSION.

