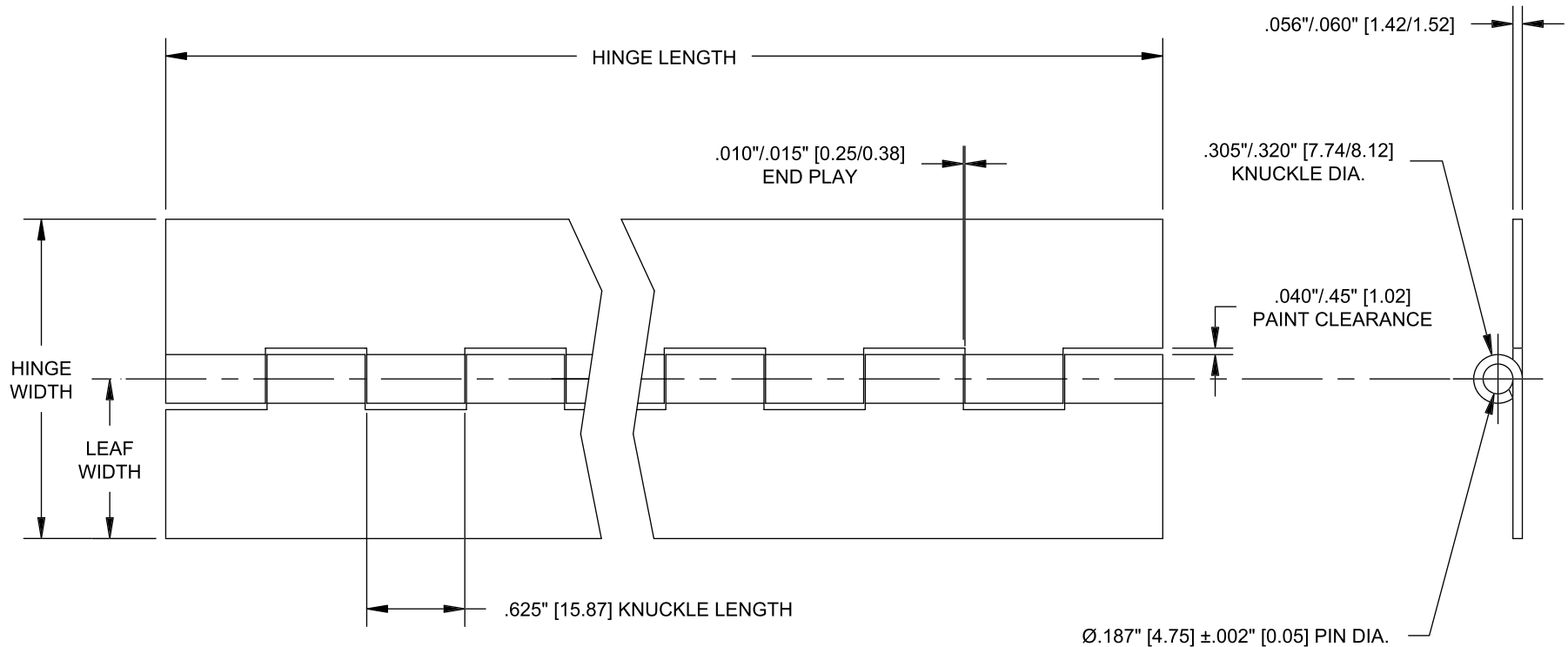


HINGE DRAWN BARREL UP



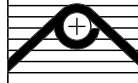
NOTES:

- 1] S&S Hinge series # 1200
- 2] Gauge/thickness - .056"/.060" [1.42 mm/1.52 mm].
- 3] Knuckle length - 5/8"/.625"/15.87 mm.
- 4] Pin dia - .187"/4.75 mm.
- 5] Hinge rotates 270°.
- 6] See chart to the right for standard open widths.
- 7] Standard metals: steel, stainless and aluminum.

SERIES #:	HINGE WIDTH
1203	1.50" [38.10]
1204	1.75" [44.45]
1205	2.00" [50.80]
1207	2.50" [63.50]
1209	3.00" [76.20]
1213	4.00" [101.60]

DIMENSIONS IN: INCHES <input checked="" type="checkbox"/> MILLIMETERS <input checked="" type="checkbox"/>			
S&S HINGE CO. STANDARD TOLERANCES			
DEC	INCH	MM	THIRD ANGLE
.XX	± .030	± 0.750	
.XXX	± .015	± 0.380	
HOLE DIA	± .005	± 0.127	
ANGLE	± 3°		

THIS PRINT AND/OR SPECIFICATION ARE EXCLUSIVE PROPERTY OF S&S HINGE CO. AND ARE NOT TO BE REPRODUCED, COPIED, USED OR DISCLOSED TO ANYONE WITHOUT PERMISSION.



CUSTOMER:

REV	DATE:	DESCRIPTION

S&S HINGE
C O M P A N Y
Continuous Hinge, Quality and Service Worldwide | Est. 1932

210 COVINGTON DRIVE
BLOOMINGDALE, IL. 60108
TEL: (630) 582-9500 * 1-800-332-1227
FAX: (630) 582-8844

DRAWN BY: JOHNNY NGUYEN

DATE:	SCALE: N-T-S
-------	--------------

PART No: 1200 series